

FLAMEPROOF ENCLOSURES

EJB.. Series - Copper-free aluminium



EJB.. series enclosures offers Ex d IIB or IIB+H2 mode of protection. They are suitable for hazardous areas of industrial plants for indoor and outdoor applications. The series may host electrical equipment which requires a direct reading from the outside, for this reason, they can be equipped with a window made of tempered glass.

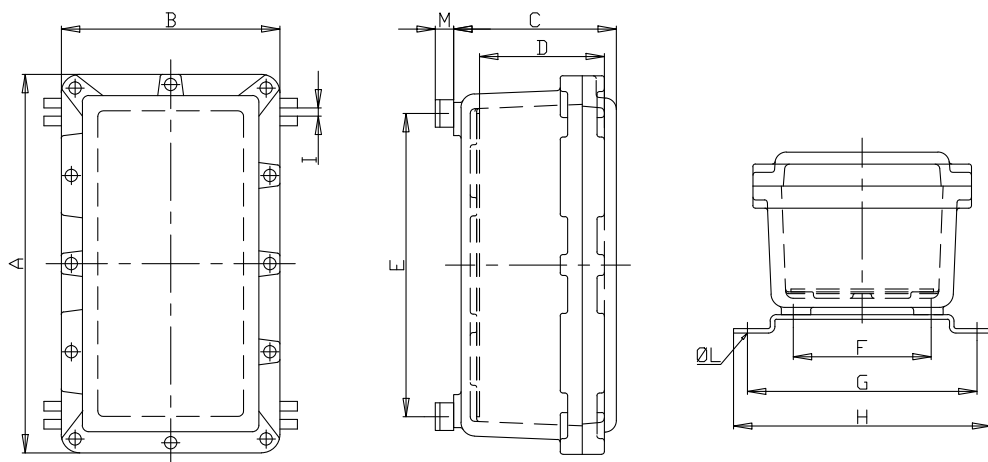
They can be equipped with following components:

- Push buttons and mechanical operators PL.. Series;
- Rotating switches PSRC Series;
- Signalling lamps PL.. Series;
- Potentiometers;
- Rotating handles SRC-1 or SRC-10;
- Measurement instruments;
- Electric and electronic equipment;

TECHNICAL FEATURES

Material	Copper-free aluminium	
IP rating	IP66	
Ambient temp. range	-60 °C up to +60 °C (without window)/-50°C up to +60°C (with window)	
Approvals	<u>Full Conformity Certificate:</u> INERIS 00ATEX0021X IECEx INE 10.0015X EAC: RU C-IT.BH02.B.00588/20 KCs Available	<u>Component Certificate:</u> INERIS 21 ATEX 9004U IECEx INE 21.0006U EAC: RU C-IT.BH02.B.00588/20
Marking	<u>Full conformity certificate</u> II 2G Ex db IIB+H2 T(*) Gb or II 2G Ex db ia/ib IIB+H2 T(*) Gb and/or II 2D Ex tb IIIC T(*) Db *T6/T85°C, T5/T100°C, T4/T135°C, T3/T200°C <u>Component Certificate</u> II 2G Ex db IIB+H2 Gb or II 2D Ex tb IIIC Db IP66	<u>Full Conformity Certificate:</u> II 2(1) G Ex db [ia Ga] IIB+H2 T6 Gb and/or II 2(1) D Ex tb [ia Da] IIIC T85°C D II 2(2) G Ex db [ib] IIB+H2 T6 Gb and/or II 2(2) D Ex tb [ib] IIIC T85°C Db II 2(1) G Ex db ia/ib [ia Ga] IIB+H2 T6 Gb and/or II 2(1) D Ex tb [ia Da] IIIC T85°C Db II 2(2) G Ex db ia/ib [ib] IIB+H2 T6 Gb and/or II 2(2) D Ex tb [ib] IIIC T85°C Db
Surface treatment	Painted by polyurethane painting: Blue RAL5014 painting cycle C4 suitable for On-Shore ·External environment: Industrial areas and coastal areas with moderate salinity ·Internal environment: Chemical plants, swimming pools, coastal plants and shipyards The Reference standard is UNI EN ISO 12944-1:2018 ·Upon request: other colour and painting cycle	
Entries	Metric pitch 1.5, ANSI B1.20.1 NPT	
Included accessories	Galvanized steel internal mounting plate, galvanized steel mounting brackets, AISI316L stainless steel external screws, hinges, door handle, acrylic laminate certificate label	
Optional accessories	AISI316L stainless steel mounting brackets, AISI316L stainless steel certificate label, Drain/breather valve, internal anticondensate painting.	

Dimensions EJB copper- free aluminium



EJB.. Series

CODE	TYPE	DIMENSIONS [MM]											WEIGHT [KG]	MOUNTING PLATES [MM]	MAX WINDOW DIMENSION [MM]	COVER ENTIERES M32
		A	B	C	D	FIXING			H	I	ØL	M				
						E	F	G								
B011014010043	EJB-2	298	238	174	135	205	140	250	280	9	M6	20	10,07	160X220	90X80	8
B011014010044	EJB-3	410	236	167	136	330	150	250	280	9	M8	20	13,40	155X330	180X100	10
B011014010045	EJB-3A	410	236	191	158	330	150	250	280	9	M8	20	13,50	155X330	-	6
B011014010046	EJB-4	415	300	165	132	300	190	300	320	9	M8	20	17,50	210X325	240X100	23
B011014010047	EJB-5	477	297	221	182	350	185	300	320	9	M8	20	20,50	200X385	270X100	18
B011014010048	EJB-6	478	404	226	186	355	280	390	420	9	M8	20	33,00	300X385	290X110	24
B011014010049	EJB-8	630	361	246	204	495	225	340	370	9	M8	20	36,06	250X520	290X110	36
B011014010050	EJB-9	532	465	252	204	410	340	440	470	12	M10	20	40,00	350X420	290X110	42
B011014010051	EJB-10	754	366	294	234	580	205	330	360	12	M10	20	48,50	240X620	150X150	42
B011014010052	EJB-11	592	501	257	204	445	360	480	510	12	M10	20	53,30	380X470	300X75	46
B011014010053	EJB-12	801	450	300	243	640	285	425	450	14	M12	20	73,00	325X675	150X150	55
B011014010025	EJB-13	830	604	298	236	630	405	580	620	14	M12	20	106,00	463X683	300X150	77
B011014010033	EJB-13A	830	604	404	322	630	405	580	620	14	M12	20	124,00	463X683	300X150	77
B011014010054	EJB-14	970	770	478	404	765	565	710	770	16	M14	25	245,00	795X595	-	-
					439									745X545		
B011012010026	EJB-14*	970	770	461	404	765	565	710	770	16	M14	25	310,00	795X595	300X150	56
					439									745X545		

*Copper-free aluminium body and galvanized steel cover

Hinges are mounted on long left side of the enclosure. For a different configuration, ask to our Sales Dept.
For complete junction boxes, ask to our Sales Dept.

Note: For installations in either Zone 1 or volume up to 2dm³, barrier glands are required. Please refer to EN-60079-14.

FLAMEPROOF ENCLOSURES

EJB.. Series - Stainless steel AISI 316 L/Galvanized Carbon Steel



EJB.. series enclosures offers Ex d IIB or IIB+H2 mode of protection. The series may host electrical equipment which requires a direct reading from the outside, for this reason, they can be equipped with a window made of tempered glass. They can be equipped with following components:

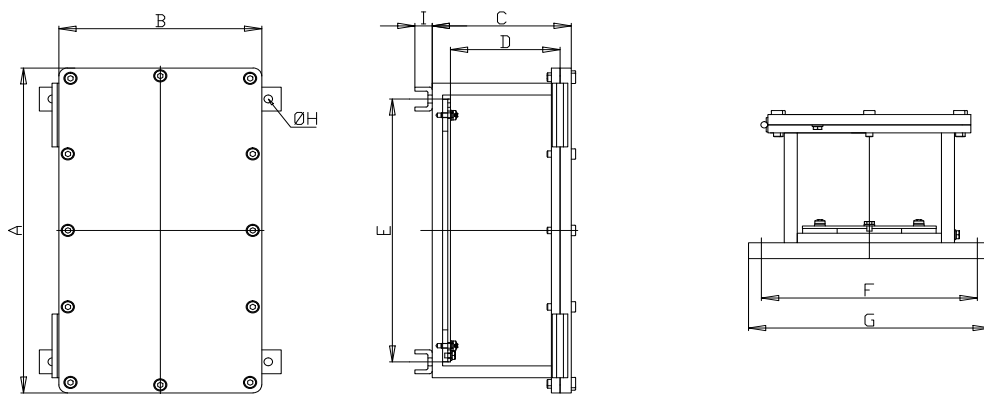
- Push buttons and mechanical operators PL.. Series;
- Rotating switches PSRC Series;
- Signalling lamps PL.. Series;
- Potentiometers;
- Rotating handles SRC-1 or SRC-10;
- Measurement instruments;
- Electric and electronic equipment;

TECHNICAL FEATURES

Material	Stainless steel AISI 316 L or Galvanized carbon steel (upon request)	
IP rating	IP66	
Ambient temp. range	-60°C to +60°C (without window)/-50°C to +60°C (with window)	
Approvals	<u>Full Conformity Certificate:</u> INERIS 00ATEX0021X IECEx INE 10.0015X EAC: RU C-IT.BH02.B.00588/20	<u>Component Certificate:</u> INERIS 21 ATEX 9004U IECEx INE 21.0006U EAC: RU C-IT.BH02.B.00588/20
Marking	<u>Full conformity certificate</u> II 2 G Ex db IIB+H2 T(*) Gb or II 2 G Ex db ia/ib IIB+H2 T(*) Gb and/or II 2 D Ex tb IIIC T(*) Db *T6/T85°C, T5/T100°C, T4/T135°C, T3/T200°C <u>Component Certificate</u> II 2G Ex db IIB+H2 Gb or I M2 Ex db I Mb and/or II 2D Ex tb IIIC Db IP66	<u>Full Conformity Certificate:</u> II 2(1) G Ex db [ia Ga] IIB T6 Gb or II 2(1) G Ex db [ia Ga] IIB+H2 T6 Gb and/or II 2(1) D Ex tb [ia Da] IIIC T85°C Db II 2(2) G Ex db [ib] IIB T6 Gb or II 2(2) G Ex db [ib] IIB+H2 T6 Gb and/or II 2(2) D Ex tb [ib] IIIC T85°C Db II 2(1) G Ex db ia/ib [ia Ga] IIB T6 Gb or II 2(1) G Ex db ia/ib [ia Ga] IIB+H2 T6 Gb and/or II 2(1) D Ex tb [ia Da] IIIC T85°C Db II 2(2) G Ex db ia/ib [ib] IIB T6 Gb or II 2(2) G Ex db ia/ib [ib] IIB+H2 T6 Gb and/or II 2(2) D Ex tb [ib] IIIC T85°C Db I M2 Ex db T(**) I Mb I M2(M1) Ex db [ia Ma] T(**) I Mb I M2(M2) Ex db [ib] T(**) I Mb **T150°C or T450°C
Surface treatment	Stainless steel enclosures: unpainted Painted by polyurethane painting: Blue RAL5014 painting cycle C4 suitable for On-Shore External environment: Industrial areas and coastal areas with moderate salinity Internal environment: Chemical plants, swimming pools, coastal plants and shipyards The Reference standard is UNI EN ISO 12944-1:2018 Upon request: other colour and painting cycle	
Entries	Metric pitch 1.5, ANSI B1.20.1 NPT	
Included accessories	Galvanized steel/ AISI316L internal mounting plate, Galvanized steel/ AISI316L mounting brackets, AISI316L stainless steel external screws; hinges; door handle; acrylic laminate certificate label.	
Optional accessories	AISI316L stainless steel certificate label; drain/breather valve; internal anticondensate painting.	

Dimensions EJB stainless steel

Enclosures not listed in below table can be customized within the volume range of EJB-2 to EJB-14.



EJB.. Series

CODE	TYPE	DIMENSIONS [MM]									WEIGHT [KG]	MOUNTING PLATES [MM]	MAX WINDOW DIMENSION [MM]	COVER ENTIERES M32
		A	B	C	D	FIXING		G	ØH	I				
						E	F							
B011013010002	EJB-2	296	234	158	132	205	250	280	10	20	35,00	160X220	90X80	8
B011013010004	EJB-3	408	235	161	130	330	250	280	10	20	45,00	155X330	180X100	10
B011013010006	EJB-4	414	298	160	126	300	305	340	12	20	55,00	210X325	240X100	6
B011013010008	EJB-5	472	289	210	176	350	295	330	12	20	70,00	200X385	270X100	23
B011013010010	EJB-6	489	414	224	190	355	410	450	14	25	93,00	300X380	290X110	18
B011013010012	EJB-8	617	348	237	198	495	360	400	14	25	114,00	250X520	290X110	24
B011013010014	EJB-9	516	453	237	198	400	460	500	14	25	118,00	350X420	290X110	36
B011013010025	EJB-10	726	344	267	228	580	340	380	14	25	125,00	560X178	150X150	42
B011013010016	EJB-11	585	496	236	215	445	490	530	14	25	139,00	380X470	300X75	42
B011013010018	EJB-12	809	459	299	256	640	440	480	16	30	181,00	325X675	150X150	46
B011013010020	EJB-13	825	602	269	226	667	605	650	18	30	235,00	463X683	300X150	55
B011013010021	EJB-13A	825	602	355	330	667	605	650	18	30	262,00	463X683	300X150	77
B011013010026	EJB-13 XL	940	650	404	356	775	650	690	18	30	300,00	793X509	300X150	77
B011014010054	EJB-14	970	770	436	378	790	760	800	20	30	530,00	795X595	300X150	56

Hinges are mounted on long left side of the enclosure. For a different configuration, ask to our Sales Dept.
For complete junction boxes, ask to our Sales Dept.